

AQUAMATIC® TWO-STAGE SERIES COMMERCIAL CONTROL VALVES

IDEAL FOR PRECISE FLUID MEASUREMENT IN A VARIETY OF APPLICATIONS



FEATURES/BENEFITS

The unique Y-pattern design, with large seat opening and high lift disc, permits higher flow rates at lower pressure loss than other comparable valves

All components can be serviced while the valve is in-line

Dual solenoid controlled operation

Ideal for precise measurement of fluids

Minimizes space requirements

Available in 2" and 3" configurations

TYPICAL APPLICATIONS

Agricultural Irrigation

Aviation Fuel

Chemical Batch Processing

Concrete Additive

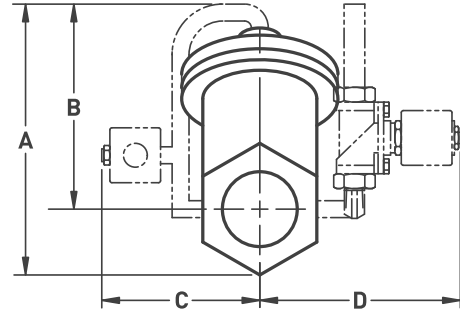
Fertilizer Spray Equipment

Fuel Oil Delivery Vehicles

Petroleum Production and Distribution

TWO-STAGE CONTROL VALVES

MODEL NO.	UNIT	DIMENSIONS (APPROXIMATE)			
		A	B	C	D
425	inches	7.82	5.88	3.00	4.12
427	inches	10.19	7.25	3.69	4.81



PRINCIPLES OF OPERATION

The diaphragm is supplied with two solenoids. The first solenoid is used to control the opening and closing of the main diaphragm valve, while the second solenoid is used to bypass the diaphragm valve for precise control of the fluid to be delivered. Energizing solenoid A evacuated the upper diaphragm chamber, allowing the diaphragm valve to open. Fluid is delivered to the holding tank. Closure of solenoid A and opening solenoid B delivers precise amount of fuel to holding tank.



Buy AqMatic Valves | www.buy-aq-matic-valves.com | Tel: 336.462.1926

© 2016 Buy AQ Matic Valves. All rights reserved. All AQ Matic trademarks and logos are owned by AQ Matic and are used with its permission. All other registered and unregistered trademarks and logos are the property of their respective owners. Because we are continuously improving our products and services, AQ Matic reserves the right to change specifications without prior notice.