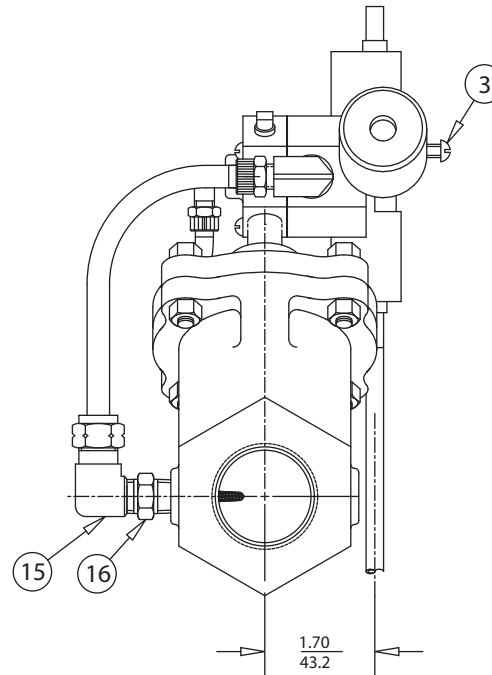
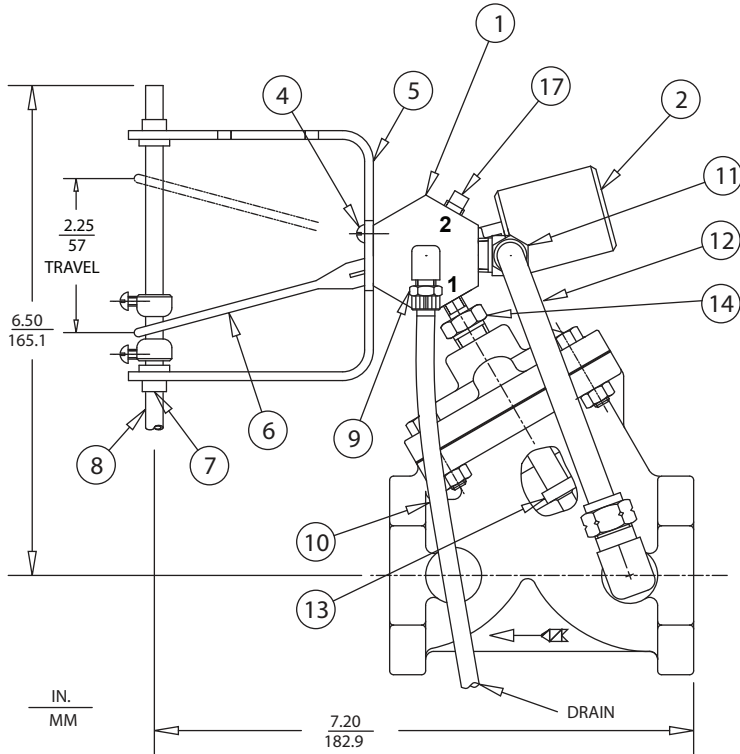
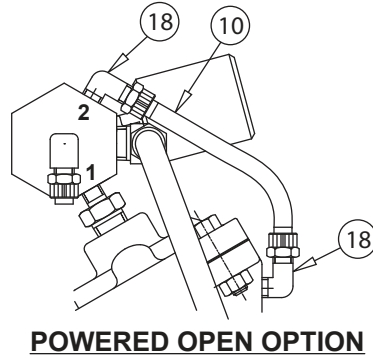
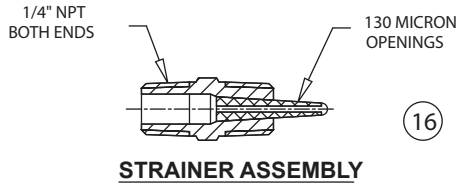


V421 FLOAT OPERATED DIAPHRAGM VALVES



SERIES 421 WITH FLOAT

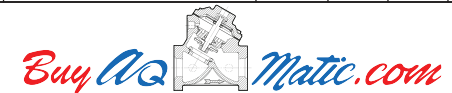
NO.	DESCRIPTION	PART NO.	QTY.	
PILOT CONTROL ASSEMBLY				
1	PILOT CONTROL ASSEMBLY	1073992 (348-AE)	1	
LEVEL CONTROL ASSEMBLY				
2	COUNTERWEIGHT	SEE DWG. NO. 1078194	1	
3	RD. HD. MACH. SCREW (8-32 X 1/2)	1072375 (SCS-0083)	1	
4	RD. HD. MACH. SCREW (6-32 X 3/8)	1072371 (SCS-0070)	4	
5	GUIDE BRACKET	1074012 (348-D)	1	
6	LEVER	1074034 (348-S)	1	
7	BUSHING	1074016 (348-G)	2	
8	FLOAT ROD ASS'Y. (SEE DWG. NO. 1078195 FOR PARTS LIST)	BRASS (36")	1074020 (348-K)	1
		BRASS (54")	1074026 (348-KK)	
		P.V.C. (36")	1074029 (348-KP)	
		STN. STL. (36")	1074030 (348-KS)	
		STN. STL. (54")	1074027 (348-KKS)	
	BRASS(36"-BR WELL)	1074028 (348-KL)		
	BRASS(54"-BR WELL)	348-KKL		

9	ELBOW (1/8" M X 1/4" TUBE)	1081656 (510-CX)	1
10	NYLON TUBING (1/4" O.D.)	1071936 (PTP-0005)	
11	ELBOW (1/4" M X 3/8" TUBE)	1074037 (348-U)	1
12	NYLON TUBING (3/8" O.D.)	1071940 (PTP-0018)	
13	SPACER	1074127 (421-HB)	1
14	HEX REDUCING NIPPLE (1/4"MX 1/8"M)	1074038 (348-X)	1
15	ELBOW (1/4" F X 3/8" TUBE)	1074007 (348-BH)	1
16	STRAINER ASSEMBLY	1074004 (348-BD)	1

POWERED CLOSED ONLY			
17	SQ. HD. PIPE PLUG 1/8" BRASS	1071903 (PLB-0007)	1
POWERED OPEN OPTION			
18	ELBOW (1/8" M X 1/4" TUBE)	1081656 (510-CX)	2

FORM NO. 1078190

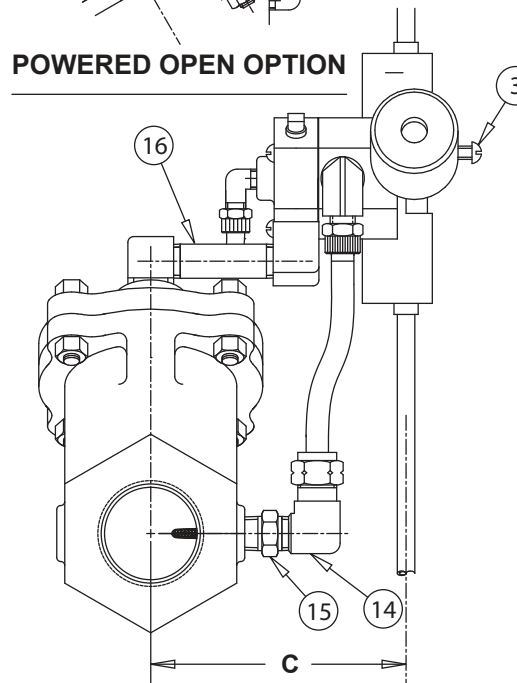
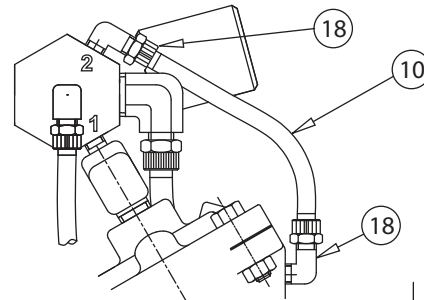
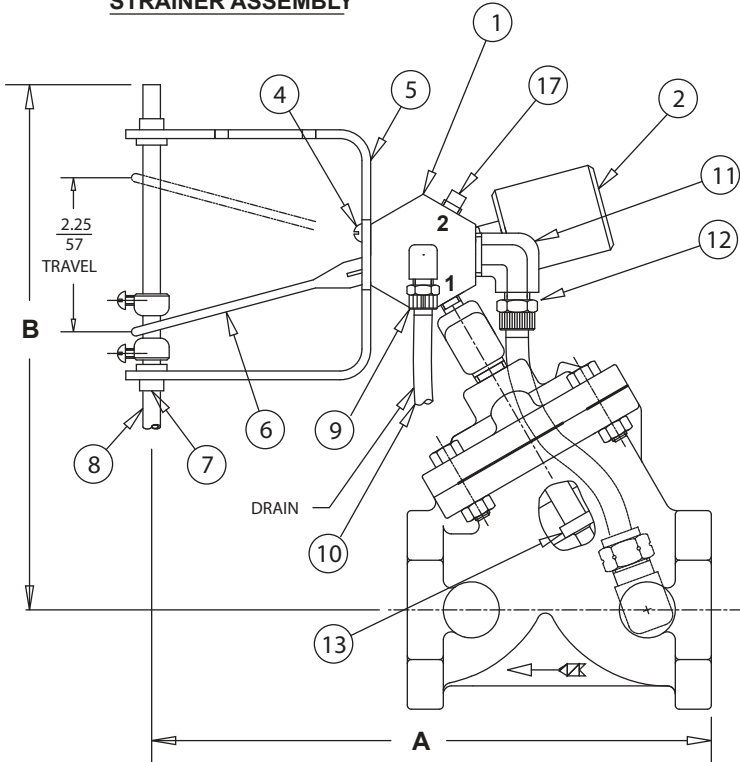
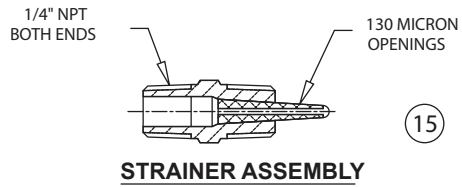
C	ITEM #2 WAS 'SEE DWG. NO. 1978195	NONE	MSM	02MAR09	
REV	DESCRIPTION	ECO	DWN	DATE	APVD



**SERIES 421 DIAPHRAGM VALVE
FLOAT OPERATED VALVE**

SCALE N/A	DRAWN JWB	DATE 17JUL01	DWG. NO. 1078191
--------------	--------------	-----------------	---------------------

V424-V428 FLOAT OPERATED DIAPHRAGM VALVES



NO.	DESCRIPTION	PART NO.	QTY.		
PILOT CONTROL ASSEMBLY					
1	PILOT CONTROL ASSEMBLY	1073992 (348-AE)	1		
LEVEL CONTROL ASSEMBLY					
2	COUNTERWEIGHT	SEE DWG. NO. 1078194	1		
3	RD. HD. MACH. SCREW (8-32 X 1/2)	1072375 (SCS-0083)	1		
4	RD. HD. MACH. SCREW (6-32 X 3/8)	1072371 (SCS-0070)	4		
5	GUIDE BRACKET	1074012 (348-D)	1		
6	LEVER	1074034 (348-S)	1		
7	BUSHING	1074016 (348-G)	2		
8	FLOAT ROD ASS'Y. (SEE DWG. NO. 1078195 FOR PARTS LIST)	BRASS (36")	1074020 (348-K)	1	
		BRASS (54")	1074026 (348-KK)		
		P.V.C. (36")	1074029 (348-KP)		
		STN. STL. (36")	1074030 (348-KS)		
		STN. STL. (54")	1074027 (348-KKS)		
	BRASS(36"-BR WELL)	1074028 (348-KL)			
	BRASS(54"-BR WELL)	348-KKL			
9	ELBOW (1/8" M X 1/4" TUBE)	1081656 (510-CX)	1		
10	NYLON TUBING (1/4" O.D.)	1071936 (PTP-0005)			
11	ELBOW (1/4" M X 3/8" TUBE)	1074037 (348-U)	1		
12	NYLON TUBING (3/8" O.D.)	1071940 (PTP-0018)			
13	SPACER	424	1074230 (424-HB)	1	
		425	1074305 (425-HB)		
		426	1074385 (426-HB)		
		427	1074484 (427-HB)		
		428	1074567 (428-HB)		
14	ELBOW (1/4" F X 3/8" TUBE)	1074007 (348-BH)	1		
15 STRAINER ASSEMBLY		1074004 (348-BD)	1		
16	NIPPLE	1/4" M X 2"	424	1071905 (PLB-0028)	1
		1/4" M X 3"	425, 426	1071906 (PLB-0029)	
		1/4" M X 4"	427, 428	1071907 (PLB-0030)	
POWERED CLOSED ONLY					
17	SQ. HD. PIPE PLUG 1/8" BRASS	1071903 (PLB-0007)	1		
POWERED OPEN OPTION					
18	ELBOW (1/8" M X 1/4" TUBE)	1081656 (510-CX)	2		

IN.
MM

SERIES 424 THRU 428 WITH FLOAT

VALVE SERIES	424	425	426	427	428
PIPE SIZE	1-1/4", 1-1/2"	2"	2"	3"	4"
A	8.29 210.6	9.29 236.0	9.87 251.3	10.80 274.3	12.80 325.1
B	7.81 198.4	8.37 212.6	9.56 242.8	10.56 268.2	13.81 350.8
C	4.20 106.7	5.20 132.1	5.20 132.1	6.20 157.5	6.20 157.5

FORM NO. 1078190

C	ITEM #2 WAS "SEE DWG. NO. 1978195"	NONE	MSM	02MAR09	
REV	DESCRIPTION	ECO	DWN	DATE	APVD
SERIES 424 thru 428 DIAPHRAGM VALVES					
FLOAT OPERATED VALVE					
SCALE	DRAWN	DATE	DWG. NO.		
N/A	JWB	17JUL01	1078191		