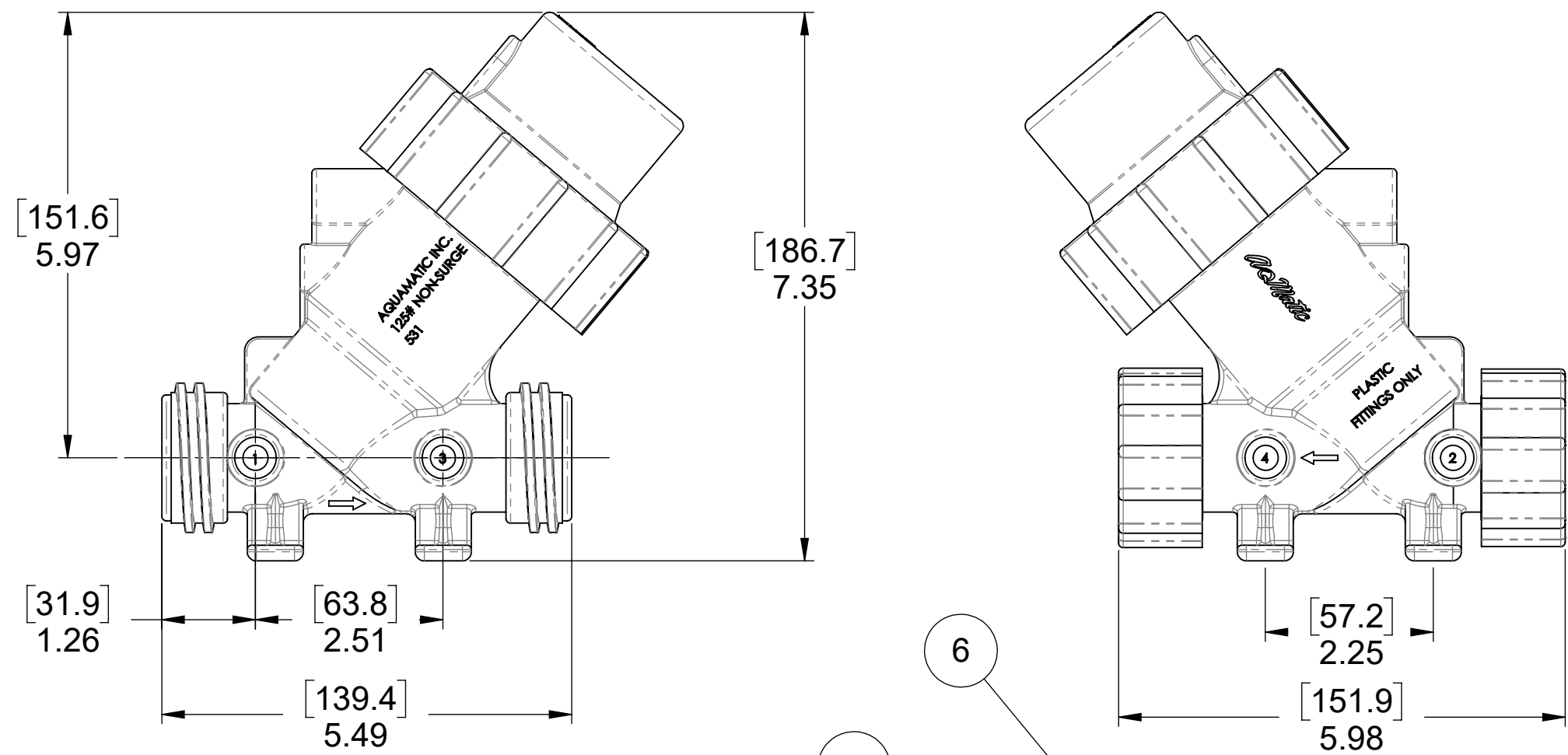
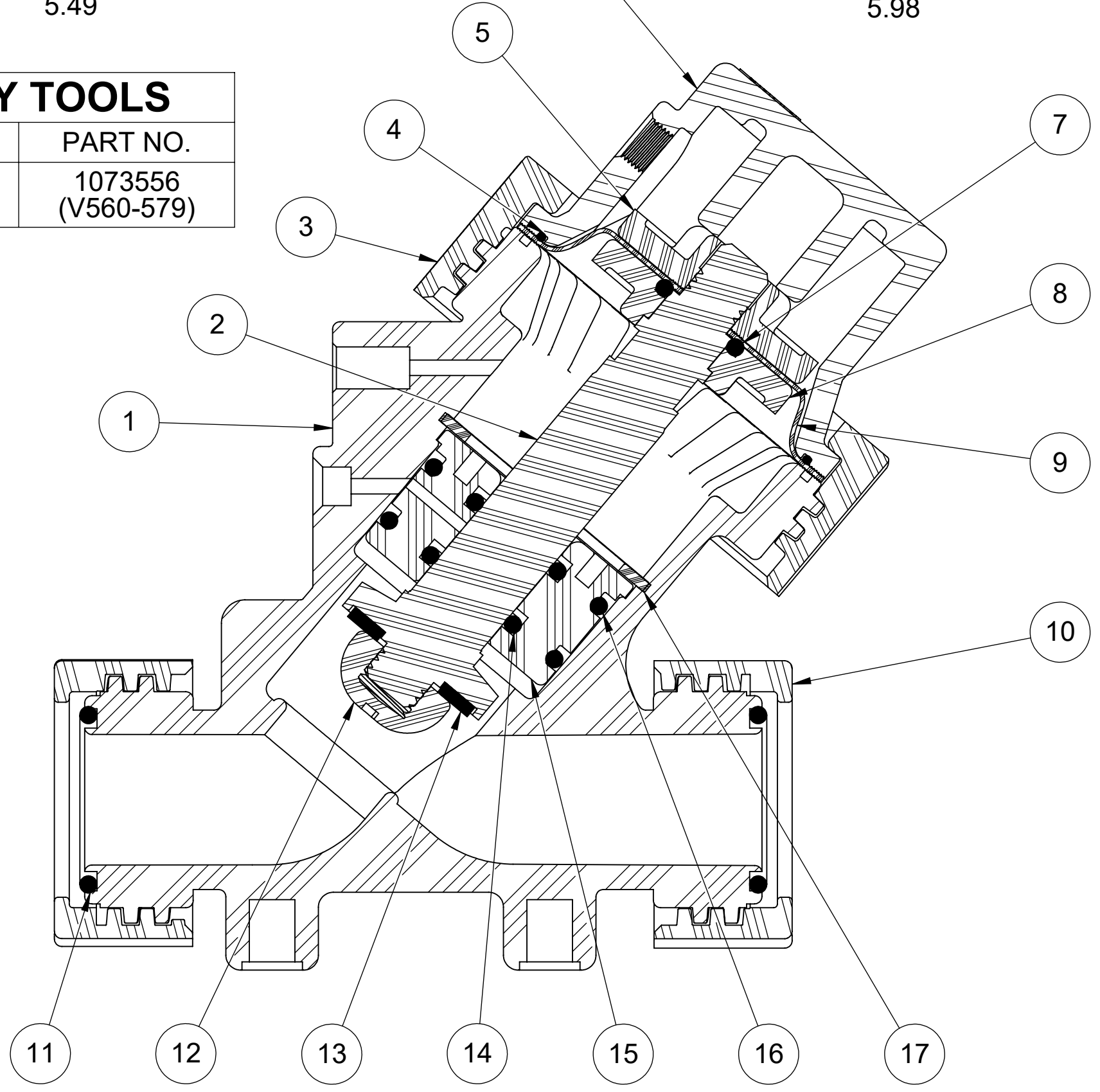


REVISIONS				
REV	ECN	DESCRIPTION	DATE	APP'D
K	1001	AQ-MATIC UPDATE & VERIFIED PART NUMBERS	1/16/2017	MGS
L	1286	PUT LOGO ON VALVE BODY, CORRECT MINOR ERRORS	8/16/2018	KJB
M	1334	REMOVE 1073557 FROM ASSEMBLY TOOLS TABLE	9/14/2018	KJB
N	1716	1-PAPER SIZE B TO C, 2-REM'D: 1071796 1071787 1071789, 3-ITEMS RENUMBERED, 4- HATCHING PATTERNS CHANGED & CONSOLIDATED, 5-ADD'D MODEL NO'S	7/24/2020	PMJ



ASSEMBLY TOOLS	
DESCRIPTION	PART NO.
LIMIT STOP TOOL	1073556
TOOL NOT SHOWN	(V560-579)



1070304 (K531-X200-14000)
NORMALLY OPEN (STANDARD)

SEE REVERSE SIDE FOR CONFIGURATION OPTIONS.

BOM TABLE				
ITEM	DESCRIPTION	PART NO.	MODEL	QTY
1	BODY, 531, VALVE	1073287	V531-410K	1
2	SHAFT, 531, NORYL, MCHD, RF	1073294	V531-530	1
3	NUT, SOCKET RETAINING, 535 PIPE	1073395	V535-080K	1
4	O-RING, 2-039	E.P.D.M. 1071685	ORB-039	1
5	PLATE, DIAPHRAGM, 531, UPPER	1073264	V531-040K	1
6	CAP, VALVE, 531	1073263	M531-021K	1
7	O-RING, 2-208	E.P.D.M. 1071700	ORB-208	1
		FKM 1071814	ORV-208	1
8	PLATE, DIAPHRAGM, LWR, 531	1073265	V531-045K	1
9	DIAPHRAGM, K531	BUNA N 1073277	V531-100	1
10	NUT, RETAINING, 531	1073273	V531-080K	2
11	O-RING, 2-218	E.P.D.M. 1071748	ORE-218	1
		BUTYL 1071779	ORJ-218	2
		FKM 1071819	ORV-218	1
12	NUT, DISC RETAINING, 531	1073274	V531-093K	1
13	DISC	E.P.D.M. 1073279	V531-110	1
		BUTYL 1073280	V531-111	1
		FKM 1073281	V531-112	1
14	O-RING, 2-210	E.P.D.M. 1071744	ORE-210	1
		BUTYL 1071776	ORJ-210	2
		FKM 1071815	ORV-210	1
15	SHAFT GUIDE, 531	1073292	V531-491	1
16	O-RING, 2-223	E.P.D.M. 1071749	ORE-223	1
		BUTYL 1071780	ORJ-223	2
		FKM 1071820	ORV-223	1
17	RING, RETAINING, SERIES 531	1073312	V531-593	1

REPAIR PARTS KITS			
DESCRIPTION	PART NO.		
DIAPHRAGM & SEALS KIT CONSISTS OF ITEM NO'S 4, 7, 9, 13, 14 (2), 16 (2)	EPDM 1070318 (531-RAE) INCLUDES DIAPHRAGM 1073277	BUTYL 1070326 (531-RAJ) INCLUDES DIAPHRAGM 1073277	FKM 1075228 (531-RAVFB) INCLUDES DIAPHRAGM 1073277
INTERNAL PARTS KIT CONSISTS OF ITEM NO'S 2, 5, 8, 12, 15, 17	1070342 (K531-RF)		

THIS DOCUMENT IS SOLELY THE PROPERTY OF AQ-MATIC REPRODUCTION, USE DISCLOSURE, OR TRANSMISSION OF THIS DOCUMENT OR DETAILS CONTAINED HEREIN, IN PART OR IN WHOLE, IS PROHIBITED WITHOUT THE WRITTEN CONSENT OF AQ-MATIC ENGINEERING. THIS DOCUMENT AND ANY COPIES SHALL BE RETURNED TO AQ-MATIC UPON WRITTEN REQUEST.

INTERPRET DIMENSIONS AND TOLERANCES PER ASME Y14.5M -1994

UNLESS OTHERWISE SPECIFIED: DIMENSIONS ARE IN INCHES (mm) CORNER FILLETS R.005-.020 [127-508] TOLERANCES: ANGLES: ±1° 1 PLACE .X: ±.100 [2.54] 2 PLACE .XX: ±.010 [0.25] 3 PLACE .XXX: ±.005 [0.13]

THE COMPONENT OR PRODUCT DESCRIBED IN THIS DOCUMENT MUST COMPLY WITH RoHS 3 EU (EUROPEAN UNION) DIRECTIVE 2015/863

THIRD ANGLE PROJECTION

APPROVALS: DRAWN PMJ, CHECKED BY, APPROVED

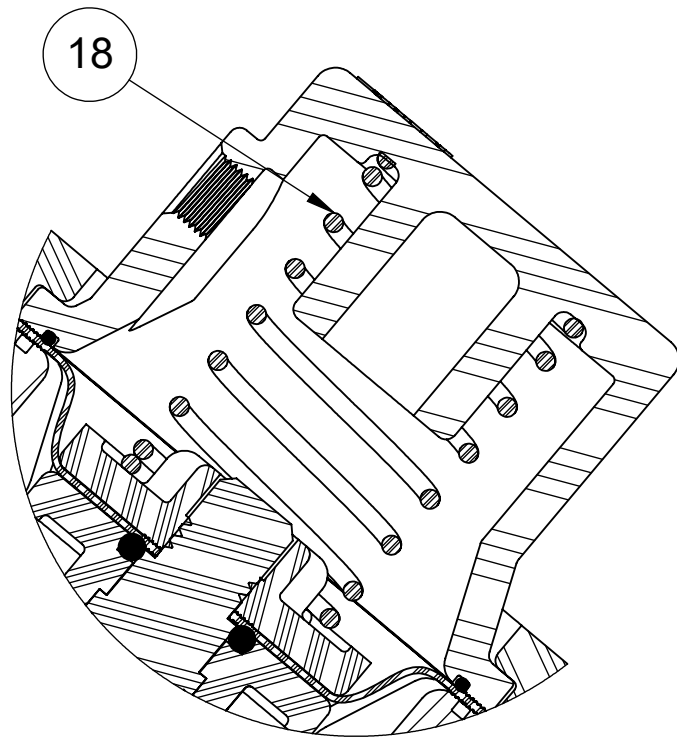
DATE: 6/12/2020

DESCRIPTION: CATALOG SHEET, 531

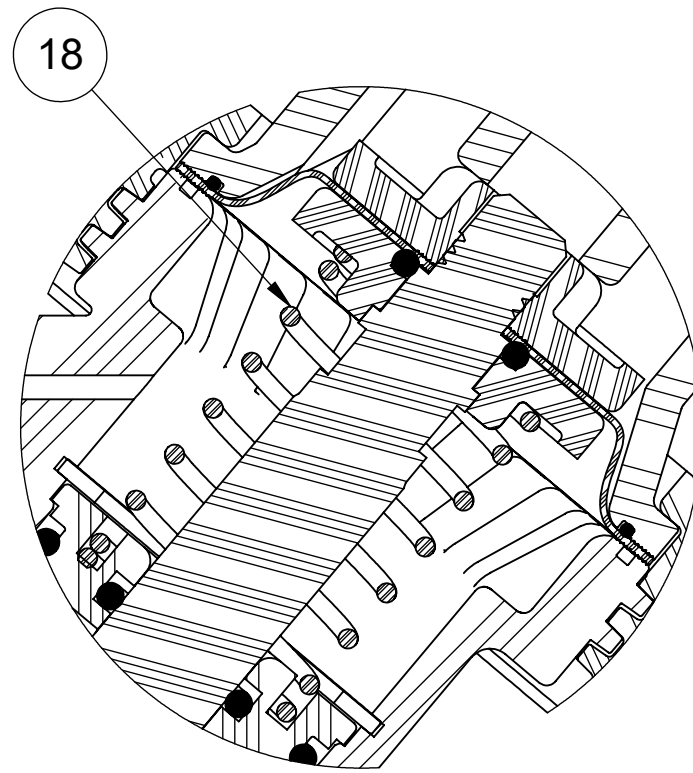
SIZE: C, DWG NO.: 1077688, REV.: N

SCALE: 1:1, SOLIDWORKS FORMAT, SHEET 1 OF 2

REVISIONS				
REV	ECN	DESCRIPTION	DATE	APP'D
SEE SHEET 1 FOR LIST OF CHANGES				



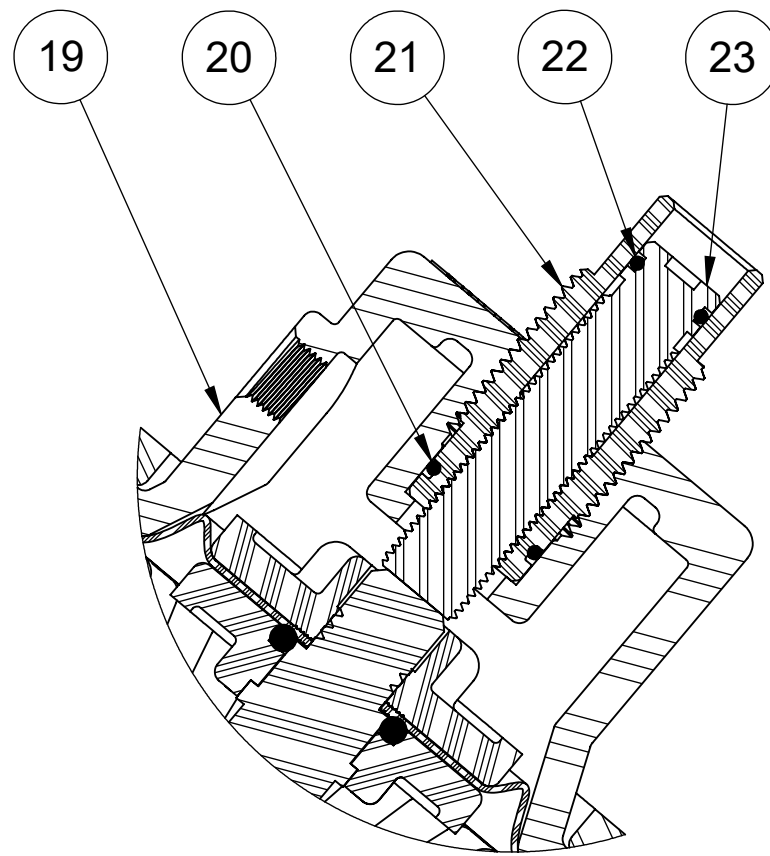
1071286 (K531-X202-14000)
SPRING ASSIST CLOSED



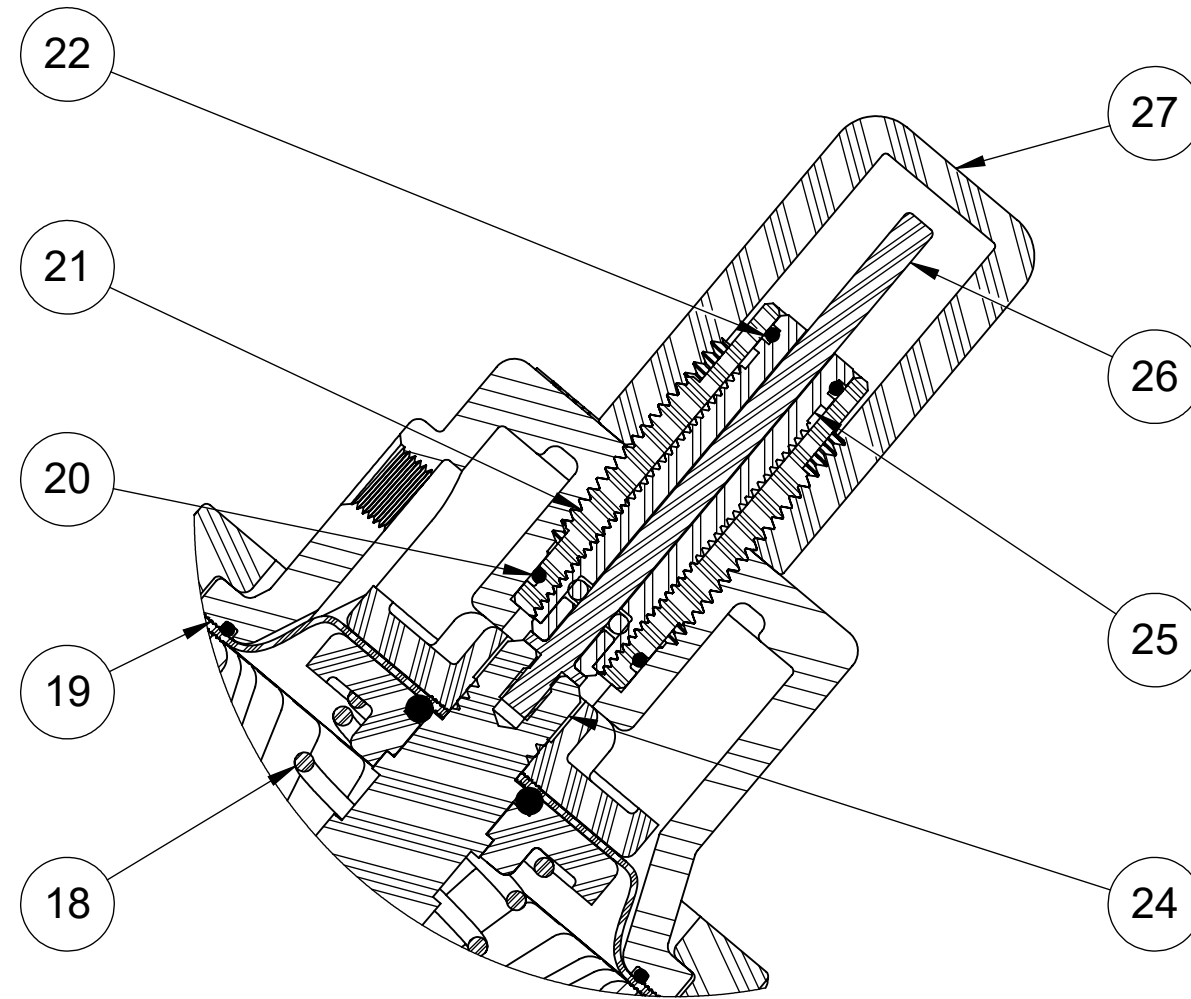
1071282 (K531-X201-14000)
SPRING ASSIST OPEN

SPRING ASSIST CLOSED & SPRING ASSIST OPEN MODELS				
ITEM	DESCRIPTION	PART NO.	MODEL	QTY
18	SPRING, COMPRESSION	1073283	V531-170	1

LIMIT STOP MODEL				
ITEM	DESCRIPTION	PART NO.	MODEL	QTY
19	CAP, LIMIT STOP / POS. IND.	1073288	V531-421K	1
20	O-RING, 2-016	BUNA N 1071671	ORB-016	1
21	GUIDE, LS/PI, 531	1073303	V531-570	1
22	O-RING, 2-012	BUNA N 1071668	ORB-012	1
23	SCREW, LIMIT STOP, 531	1073308	V531-576	1



1070305 (K531-X210-14000)
LIMIT STOP



1071268 (K531-X2A1-14000)
LIMIT STOP / POSITION INDICATOR
(SPRING ASSIST OPEN SHOWN HERE)

LIMIT STOP / POSITION INDICATOR MODEL				
ITEM	DESCRIPTION	PART NO.	MODEL	QTY
18	SPRING, COMPRESSION	1073283	V531-170	1
19	CAP, LIMIT STOP / POS. IND.	1073288	V531-421K	1
20	O-RING, 2-016	BUNA N 1071671	ORB-016	1
21	GUIDE, LS/PI, 531	1073303	V531-570	1
22	O-RING, 2-012	BUNA N 1071668	ORB-012	1
24	SHAFT, 531, NORYL, PI, MCHD	1073295	V531-531	1
25	SCREW, LIMIT STOP, ASSY., 537	1073315	V531-700	1
26	ROD, PI, 531	1073298	V531-555	1
27	SIGHT GLASS, POS INDICATOR, 531	1073297	V531-550	1

REPAIR PARTS KITS

CONVERSION KITS

DESCRIPTION	PART NO.
INT. PARTS KIT (SPRING ASSIST CLOSED) CONSISTS OF ITEM NO. 18	1075229 (531-S)
INT. PARTS KIT (SPRING ASSIST OPEN) CONSISTS OF ITEM NO. 18	1075229 (531-S)
INT. PARTS KIT (LIMIT STOP) CONSISTS OF ITEM NO'S 20 THRU 23	1075226 (531-LS)
INT. PARTS KIT (LIMIT STOP / POS INDICATOR) CONSISTS OF ITEM NO'S 22, 24, 25, 26, 27	1075227 (531-PI)

DESCRIPTION	PART NO.
CONVERSION KIT (SPRING ASSIST CLOSED) CONSISTS OF ITEM NO. 18	1075229 (531-S)
CONVERSION KIT (SPRING ASSIST OPEN) CONSISTS OF ITEM NO. 18	1075229 (531-S)
CONVERSION KIT (LIMIT STOP) CONSISTS OF ITEM NO'S 19 THRU 23	1071265 (K531-LSC)
CONVERSION KIT (LIMIT STOP / POS INDICATOR) CONSISTS OF ITEM NO'S 19 THRU 22 AND 24 THRU 27	1071266 (K531-PIC)

SEE SHEET 1 FOR STANDARD NORMALLY OPEN MODEL

THIS DOCUMENT IS SOLELY THE PROPERTY OF AQ-MATIC REPRODUCTION, USE DISCLOSURE, OR TRANSMISSION OF THIS DOCUMENT OR DETAILS CONTAINED HEREIN, IN PART OR IN WHOLE, IS PROHIBITED WITHOUT THE WRITTEN CONSENT OF AQ-MATIC ENGINEERING. THIS DOCUMENT AND ANY COPIES SHALL BE RETURNED TO AQ-MATIC UPON WRITTEN REQUEST.

INTERPRET DIMENSIONS AND TOLERANCES PER ASME Y14.5M -1994

UNLESS OTHERWISE SPECIFIED: DIMENSIONS ARE IN INCHES (mm) CORNER FILLETS R.005-020 [127-508] TOLERANCES: ANGLES: ±1° 1 PLACE .X: ±.100 [2.54] 2 PLACE .XX: ±.010 [0.25] 3 PLACE .XXX: ±.005 [0.13]

THE COMPONENT OR PRODUCT DESCRIBED IN THIS DOCUMENT MUST COMPLY WITH RoHS 3 EU (EUROPEAN UNION) DIRECTIVE 2015/863

THIRD ANGLE PROJECTION

APPROVALS
DRAWN PMJ
CHECKED BY
APPROVED

AQ-Matic AQ-MATIC VALVES AND CONTROLS

DESCRIPTION
CATALOG SHEET, 531
SIZE C DWG NO. 1077688 REV. N
SCALE 1:2 SOLIDWORKS FORMAT SHEET 2 OF 2