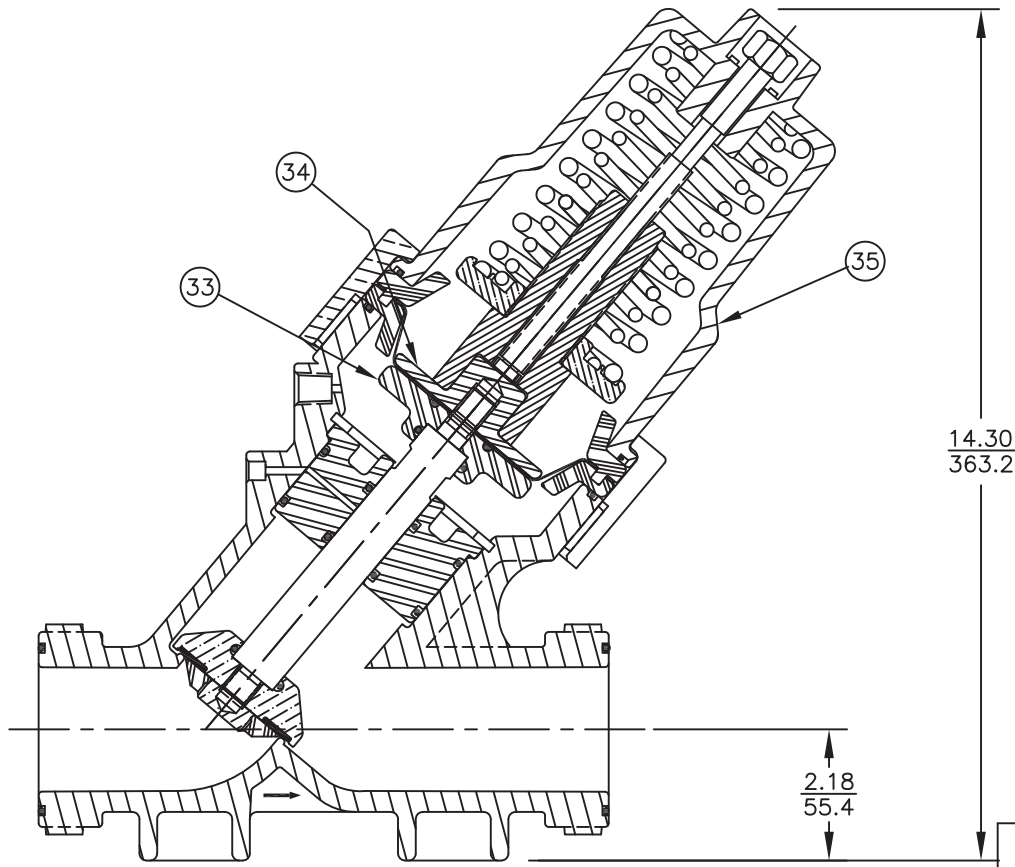


K535 DIAPHRAGM VALVE - FAILSAFE MODEL

NO.	DESCRIPTION	PART NO.	QTY.
33	LOWER DIAPHRAGM PLATE	1073412 (V535-448)	1
34	UPPER DIAPHRAGM PLATE	1073411 (V535-444)	1
44	CAP ASSEMBLY - 30#	1071341 (K535-FS3)	1
	CAP ASSEMBLY - 60#	1071342 (K535-FS6)	
	CAP ASSEMBLY - 100#	1071340 (K535-FS1)	

NOTE:
DUE TO SPRING ASSEMBLY REQUIREMENTS,
CAP ASSEMBLY SOLD AS ASSEMBLY ONLY.

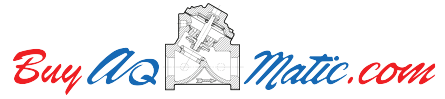


- 1076665 (K535-X203-14000) (30 PSI - 2 BAR)
- 1071368 (K535-X204-14000) (60 PSI - 4 BAR)
- 1071371 (K535-X205-14000) (100 PSI - 7 BAR)

FAILSAFE CLOSED

INCHES
MILLIMETERS

SEE DWG. NO. 1084010 FOR STANDARD MODEL
FORM NO. 1078168

H	SEE REVERSE SIDE	NONE	MSM	15May06	SMN
REV	DESCRIPTION	ECO	DWN	DATE	APVD
					
SERIES 535 DIAPHRAGM VALVE FAILSAFE SPRING CLOSED MODEL					
DRAWN	JWB	DATE	26Jun01	DRAWING NO.	1084011